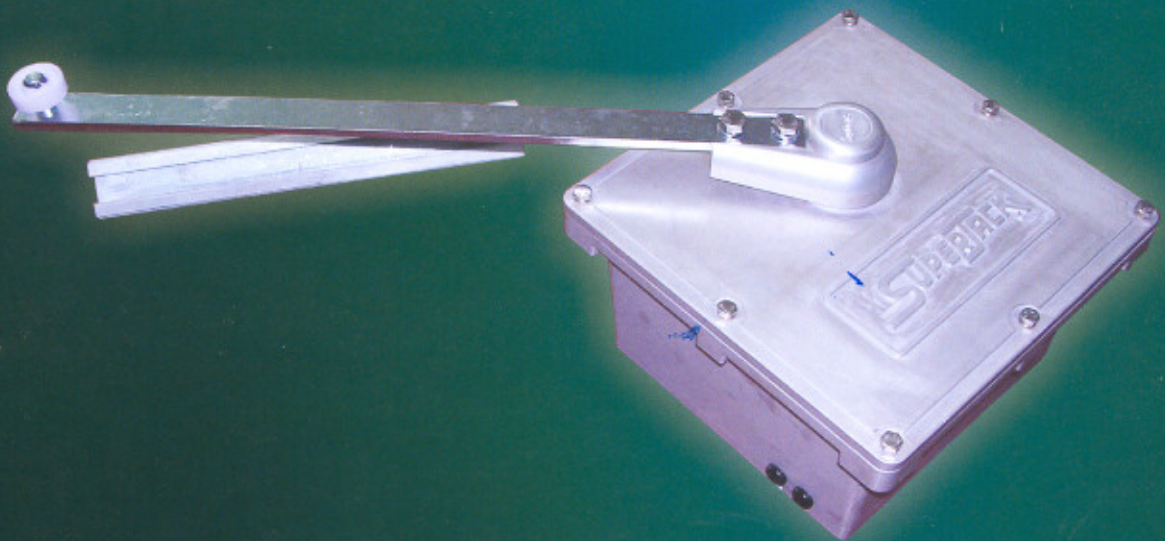
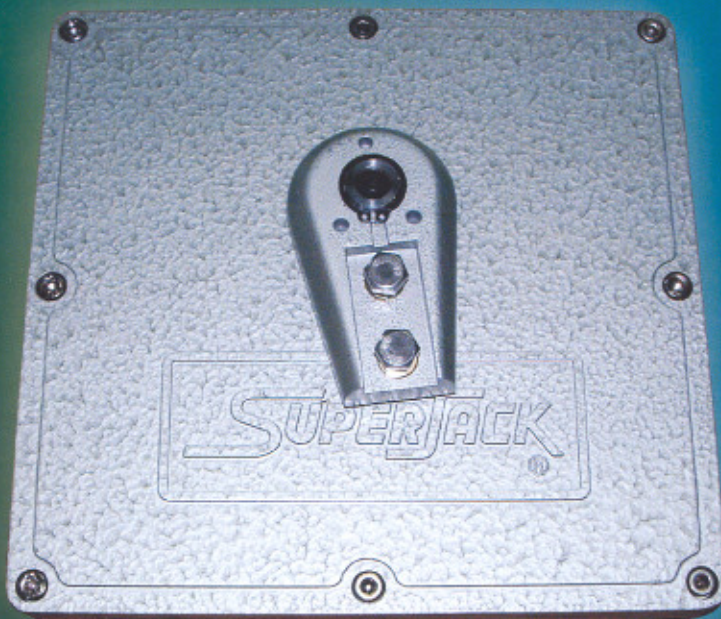


SUPERJACK[®]

UG4000

**Under-Ground Gate Opener
UG4000**



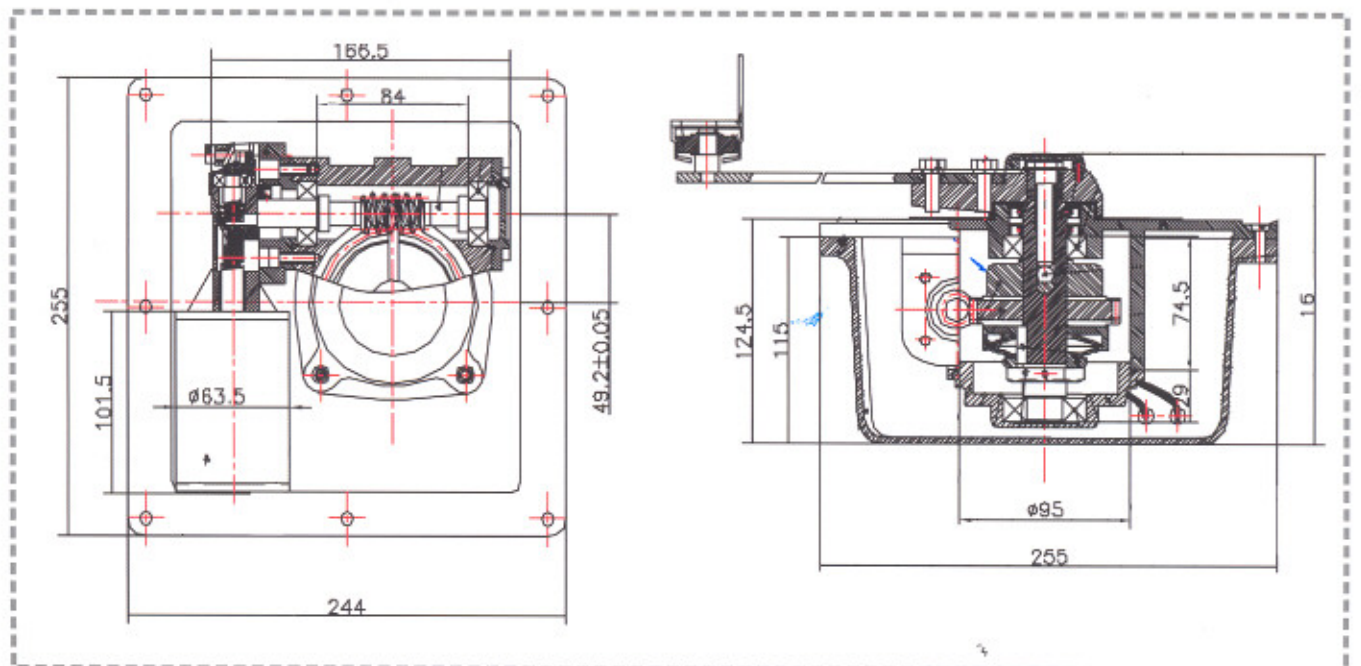
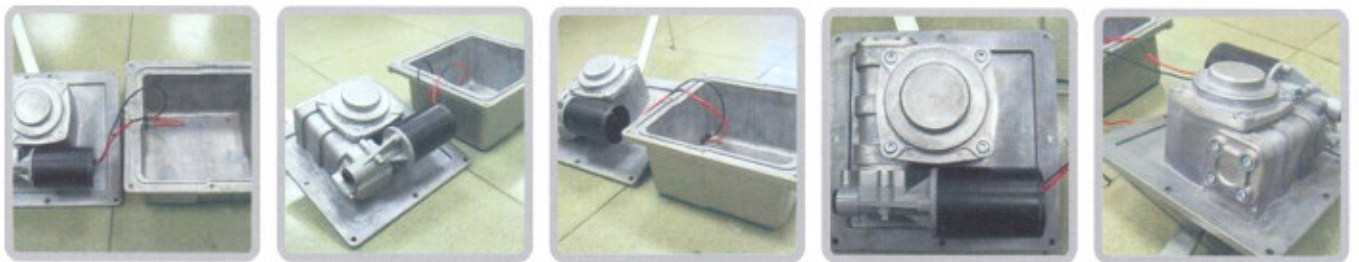
Jaeger Industrial Co., Ltd.

UG-4000 ---- For 400kgs Gate

ELECTRO-MECHANICAL OPERATORS FOR RESIDENTIAL AUTOMATION

Product Features

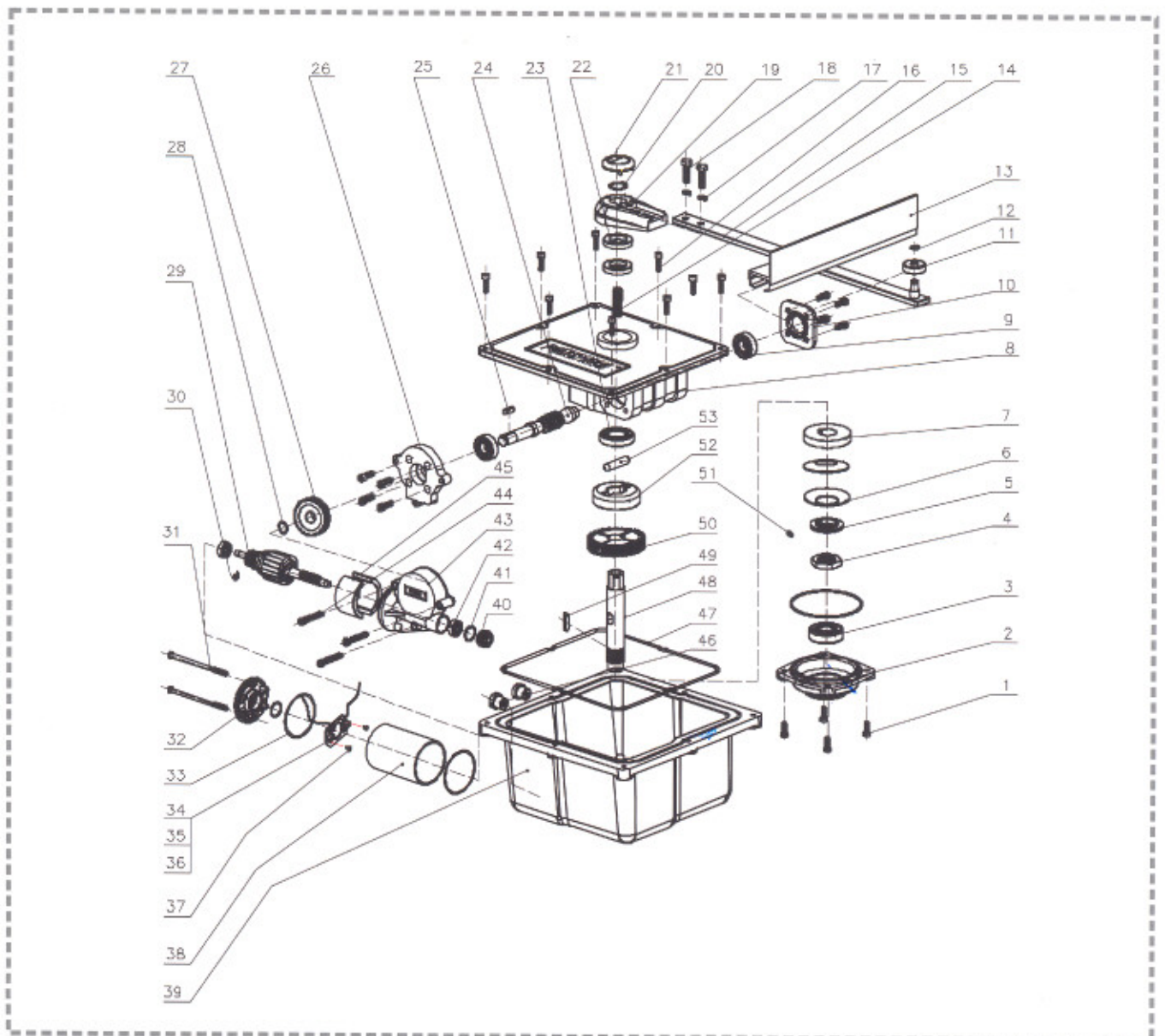
- UG-4000 owns the creative design of a new under-hinge electro-mechanical automation controller for residential use, and its hidden foundation box highlights the aesthetic appearance of the gate.
- Durable D.C motor and electro-mechanical clutch system housed in a waterproof alloy casing provides noiseless operation for the user.
- Power supply is coming from 24V direct current to operate the control panel, receiver, motors and the electronic latch.
- The design of UG-4000 caters for inward or outward opening swing gates up to 4.5 meters wide.
- Rapid speed of opening: 6.5 seconds to 90 degrees.



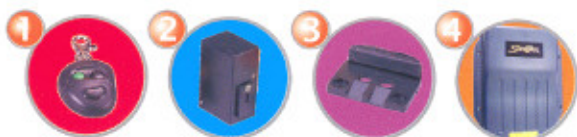
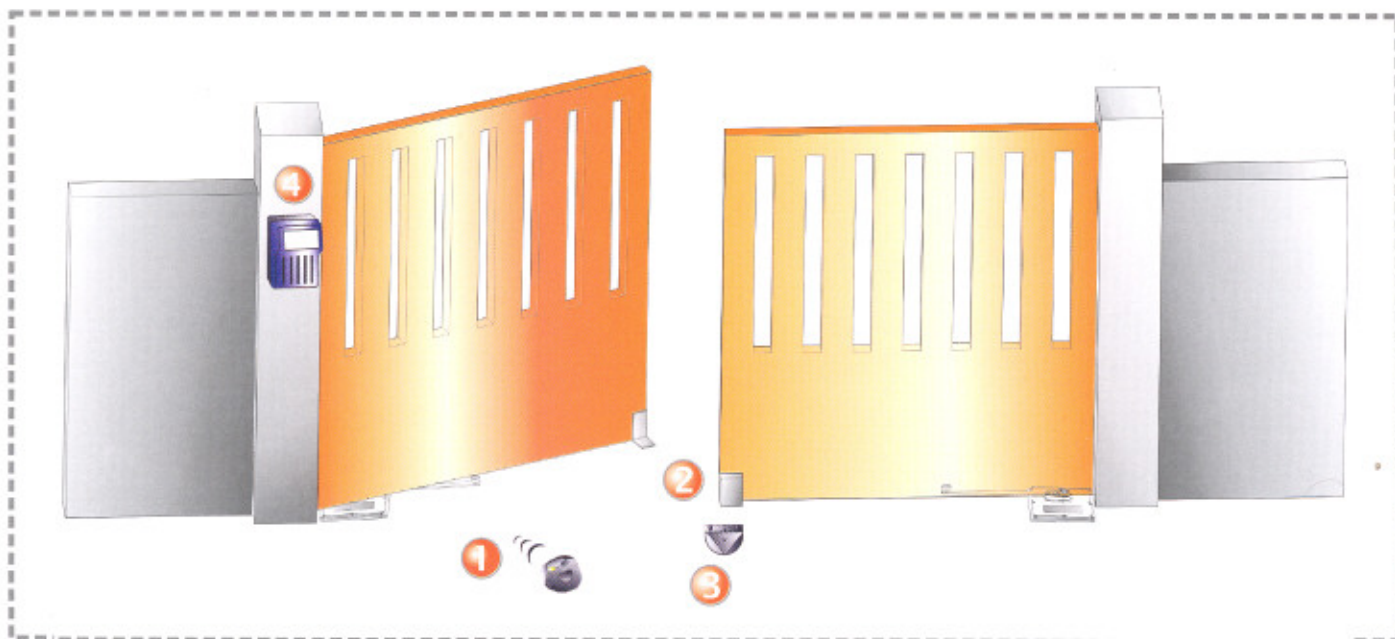
UG-4000 ---- For 400kgs Gate

Specification

Model	UG4000
Maximum Gate Weight	400kgs per leaf
Operating Voltage	24V DC
Current Consumption(no load)	0.6 Amp
Motor Speed	4200 r.p.m.
Motor Output Power	70 W
Motor Torque(kg-cm)	650/1300 kg fcm
Gearbox Housing	Die-cast Aluminum
Drive Shaft Material	Case-hardened Steel
Shaft Rotation Angle	360°
Maximum Gate Length	4.5 m
Rotation Speed at 90°	6.5 sec

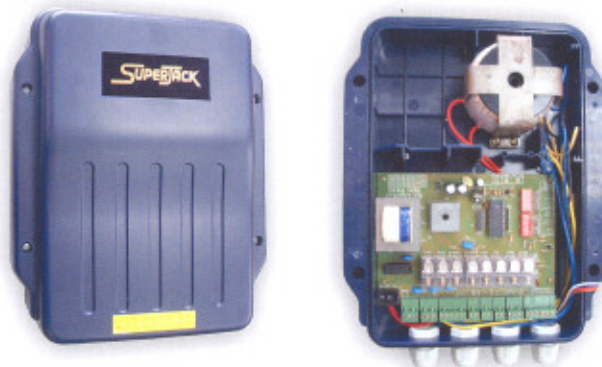


ACCESSORIES FOR STANDARD PACKAGE



1. TRANSMITTER 2. 24V DC ELECTRIC LATCH 3. STOPPER 4. CONTROL BOX

C-410 Control Box



Specifications:

Model	C-410
Power Supply	110V/220V VAC 50HZ(60HZ)
Power Consumption	50W(Standby); 80W(Maximum)
Power Supply of the Motor	24VDC/0.5A, 30W(Maximum)
Power Supply of the Electric Lock	24VDC, 5W(Maximum)
Power Supply of the Receiver	12/24VDC, 5W(Maximum)
Working Temperature Range	-30°C+50°C
Pause Time	Programmable, 1sec.~8sec.
2 nd Wing Closing Delay	Programmable, 0.5sec.~2sec.
Dimensions and Weight	175x128x37mm, 1.93kgs



JAEGER INDUSTRIAL CO., LTD

Address: NO.6, Pao Kao Rd., Hsin Tien City, Taipei Hsien, Taiwan, R.O.C.

TEL: 886-2-2917 4441

E-mail: sales@jaeger-group.com

FAX: 886-2-2917 8362

Http:// www.jaeger.com.tw

*The specifications contained on this data are preliminary and are subject to change without notice.
It is the responsibility of the product user to determine the suitability of Jaeger products for a specific application.